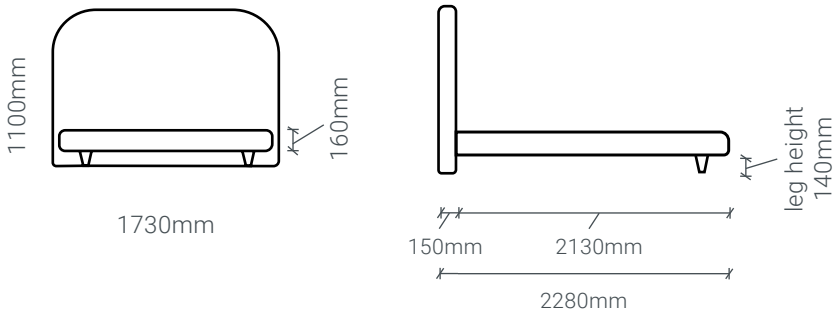




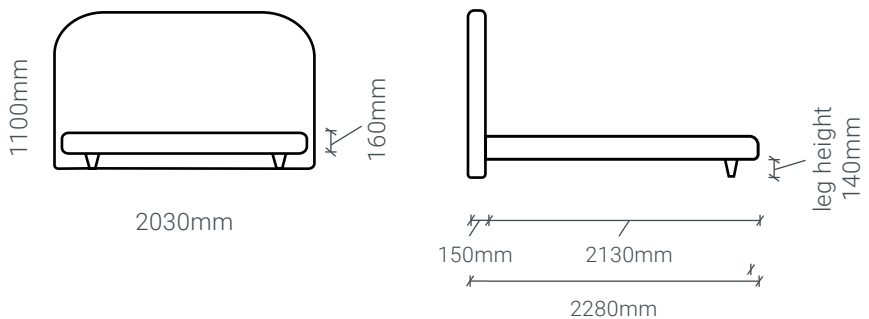
Bonnie Bed

Specifications

Queen



King



The timber slats sit at 270mm from the floor and are recessed into the upholstered frame by 30mm allowing for easy access for changing sheets. The distance between timber slats is 90mm with a central beam on king size for extra support.